

Product data sheet

Characteristics

XS612B1MAL2

inductive sensor, XS6, M12, L53 mm, brass,
Sensing 4 mm, 24 to 240 VAC/DC, 2 meter cable



Product availability: Stock - Normally stocked in distribution facility

Price*: 71.22 USD



Main

| | |
|------------------------------------|---|
| Range of product | Telemecanique Inductive proximity sensors XS |
| Series name | General purpose |
| Sensor type | Inductive proximity sensor |
| Sensor name | XS6 |
| Sensor design | Cylindrical M12 |
| Size | 54 mm |
| Body type | Fixed |
| Detector flush mounting acceptance | Flush mountable |
| Material | Metal |
| Type of output signal | Discrete |
| Wiring technique | 2-wire |
| [Sn] nominal sensing distance | 0.16 In (4 mm) |
| Discrete output function | 1 NO |
| Output circuit type | AC/DC |
| Electrical connection | Cable |
| Cable length | 6.56 Ft (2 m) |
| [Us] rated supply voltage | 24...240 V AC/DC 50/60 Hz |
| Switching capacity in mA | 5...200 mA AC/DC |
| IP degree of protection | IP68 double insulation conforming to IEC 60529 IP69K conforming to DIN 40050 |

Complementary

| | |
|---------------------|--------------------------------|
| Thread type | M12 x 1 |
| Detection face | Frontal |
| Front material | PPS |
| Enclosure material | Nickel Plated Brass |
| Sensing range | > 0.1...0.16 in (> 2.5...4 mm) |
| Operating zone | 0.00...0.13 In (0...3.2 mm) |
| Differential travel | 1...15% of Sr |

| | |
|--------------------------|------------------------------|
| Cable composition | 2 x 0.34 mm ² |
| Wire insulation material | PvR |
| Status LED | Output state: 1 LED (yellow) |
| Supply voltage limits | 20...264 V AC/DC |
| Maximum residual current | 0.8 MA open state |
| Switching frequency | <= 1000 Hz DC <= 25 Hz AC |
| Maximum voltage drop | <5.5 V closed) |
| Maximum delay first up | 20 Ms |
| Maximum delay response | 0.5 Ms |
| Maximum delay recovery | 0.2 Ms |
| Marking | CE |
| Threaded length | 1.65 In (42 mm) |
| Length | 2.13 In (54 mm) |
| Net weight | 0.17 Lb(US) (0.075 kg) |

Environment

| | |
|---------------------------------------|---|
| Product certifications | UL CSA |
| Ambient air temperature for operation | -13...158 °F (-25...70 °C) |
| Ambient air temperature for storage | -40...185 °F (-40...85 °C) |
| Vibration resistance | 25 gn +/- 2 mm 10...55 Hz)IEC 60068-2-6 |
| Shock resistance | 50 gn 11 ms IEC 60068-2-27 |

Ordering and shipping details

| | |
|-----------------------|----------------------------|
| Category | 22486 - SENSORS, PROXIMITY |
| Discount Schedule | DS2 |
| GTIN | 03389110147216 |
| Nbr. of units in pkg. | 1 |
| Package weight(Lbs) | 2.61 Oz (74 g) |
| Returnability | Yes |
| Country of origin | ID |

Packing Units

| | |
|------------------------------|--------------------------|
| Unit Type of Package 1 | PCE |
| Package 1 Height | 1.77 In (4.5 cm) |
| Package 1 width | 3.74 In (9.5 cm) |
| Package 1 Length | 5.12 In (13 cm) |
| Unit Type of Package 2 | S03 |
| Number of Units in Package 2 | 44 |
| Package 2 Weight | 8.58 Lb(US) (3.894 kg) |
| Package 2 Height | 11.81 In (30 cm) |
| Package 2 width | 11.81 In (30 cm) |
| Package 2 Length | 15.75 In (40 cm) |
| Unit Type of Package 3 | P06 |
| Number of Units in Package 3 | 352 |
| Package 3 Weight | 88.74 Lb(US) (40.252 kg) |
| Package 3 Height | 30.31 In (77 cm) |
| Package 3 width | 23.62 In (60 cm) |
| Package 3 Length | 31.50 In (80 cm) |

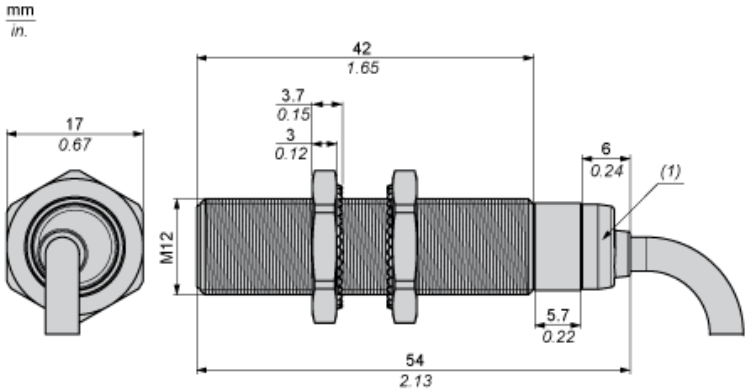
Offer Sustainability

| | |
|----------------------------|--|
| Sustainable offer status | Green Premium product |
| California proposition 65 | WARNING: This product can expose you to chemicals including: Diisononyl phthalate (DINP), which is known to the State of California to cause cancer, and Diisodecyl phthalate (DIDP), which is known to the State of California to cause birth defects or other reproductive harm. For more information go to www.P65Warnings.ca.gov |
| REACH Regulation | REACH Declaration |
| EU RoHS Directive | Pro-active compliance (Product out of EU RoHS legal scope) EU RoHS Declaration |
| Mercury free | Yes |
| RoHS exemption information | Yes |
| Environmental Disclosure | Product Environmental Profile |
| Circularity Profile | End Of Life Information |

Contractual warranty

| | |
|----------|-----------|
| Warranty | 18 months |
|----------|-----------|

Dimensions



(1) LED

Minimum Mounting Distances

Side by side



e (1) ≥ 8 mm/0.31 in.

Face to face



e (2) ≥ 8 mm/1.89 in.

Facing a metal object



e (3) ≥ 2 mm/0.47 in.

Mounting



(1) Bending cable: 4 x external cable diameter

Wiring Schemes

2-Wire AC or DC

NO output



BU : Blue
BN : Brown

Product Life Status : Commercialised